

MQA AND MQB TYPES



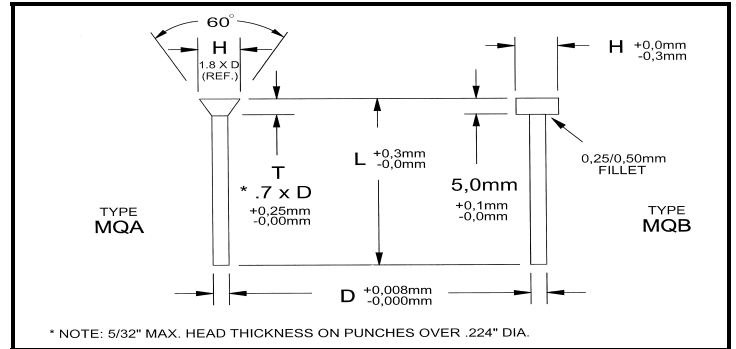
Royal

METRIC PERFORATORS/CORE PIN BLANKS

M-2 HIGH SPEED STEEL, 60-63 RC
PRECISION FORM-GROUND DIAMETERS

MADE TO ORDER
IN 0.01 mm INCREMENTS
10 PIECES MINIMUM

63mm Length



HOW TO ORDER: EXAMPLES				
Qty.	Type	Dia.	X	Length
50	MQA	0.95	X	63
25	MQB	6.55	X	63

D DIAMETER RANGE MADE TO ORDER IN 0.01mm INCREMENTS	NET PRICE EACH PER QUANTITY (US \$)								MQB TYPE
	MQA				MQB				
	100+	50-99	25-49	10-24	100+	50-99	25-49	10-24	H
0.80mm - 1.60mm	2.33	2.96	4.11	7.11	3.51	4.28	6.02	11.62	3
1.61mm - 2.00mm	2.47	3.08	4.26	7.28	3.93	4.78	6.69	12.84	4
2.01mm - 3.00mm	2.74	3.37	4.70	7.58	3.93	4.78	6.69	12.84	5
3.01mm - 4.00mm	2.88	3.51	4.83	7.73	4.14	5.05	7.03	13.61	6
4.01mm - 5.00mm	3.16	3.87	5.05	8.18	4.28	5.19	7.26	14.08	7
5.01mm - 6.00mm	3.59	4.28	5.50	8.64	4.28	5.19	7.26	14.08	8
6.01mm - 7.00mm	3.93	4.70	5.95	9.17	4.49	5.47	7.70	14.82	9

MPB TYPE



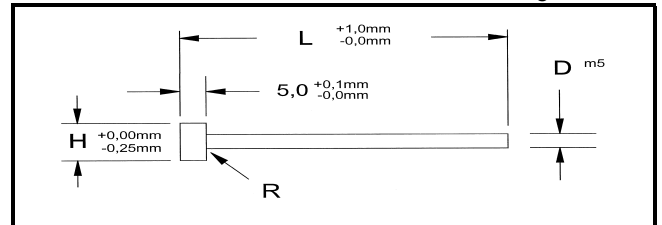
Royal

METRIC PUNCH BLANKS

M-2 HIGH SPEED STEEL, RC 60-63
HEADS DRAWN 45-55 RC

MADE TO ORDER
10 PIECES MINIMUM

50, 56, 63, 71, 80, 90, 100, and 125mm Lengths



HOW TO ORDER: EXAMPLES			
QTY.	CAT No	X	LENGTH
50	MPB-3	X	63

CATALOG NUMBER	D BODY DIA.		H HEAD DIA.	NET PRICE EACH PER QUANTITY (US \$)											
	NOMINAL DIA.	m ⁵ TOLERANCE		L-LENGTH											
				50, 56, & 63 mm			71 & 80 mm			90 & 100 mm			125 mm		
				50 +	25-49	10-24	50 +	25-49	10-24	50 +	25-49	10-24	50 +	25-49	10-24
MPB-3	3	+ 0,009 + 0,004	5.0	6.49	7.54	8.75	7.23	8.41	9.75	9.05	10.52	12.16	Q	Q	Q
MPB-4	4	+ 0,009 + 0,004	7.0	6.64	7.72	8.93	7.57	8.78	10.17	9.65	11.22	13.01	11.47	13.31	15.42
MPB-5	5	+ 0,009 + 0,004	8.0	7.70	8.95	10.37	8.31	9.64	11.18	9.70	11.25	13.10	11.59	13.46	15.60
MPB-6	6	+ 0,009 + 0,004	9.0	8.90	10.34	12.00	9.41	10.79	12.58	9.78	11.37	13.18	12.98	15.07	17.46
MPB-8	8	+ 0,012 + 0,006	11.0	9.43	10.96	12.70	9.77	11.45	13.50	10.25	11.90	13.82	13.38	15.53	18.00

Please see PAGE 1 for a complete list of modifications that are available for any of the ROYAL Family of Pins and Punches