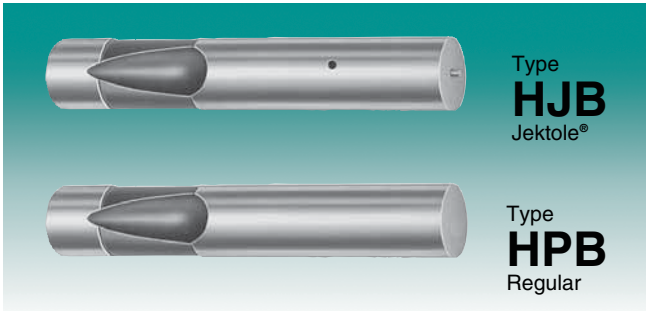
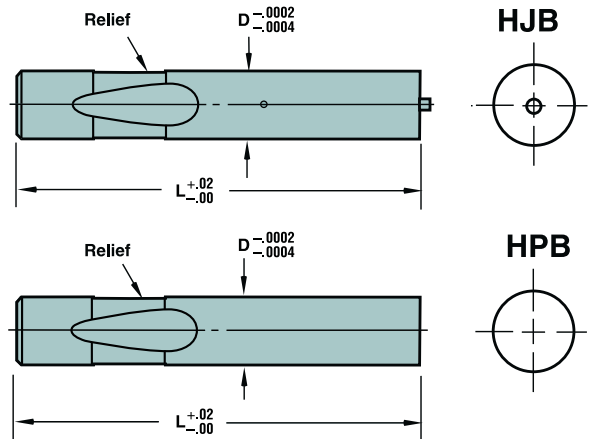


# Punch Blanks Jektole® & Regular Heavy Duty



**Material**  
Steel: A2, M2, PS4, RC 60-63



Type	Shank		L														* Jektole® Group		
	D	Code	2.50	2.75	3.00	3.25	3.50	3.75	4.00	4.25	4.50	4.75	5.00	5.25	5.50	5.75		6.00	
HJB	.375	37																	J4
	.500	50	250	275															J6
	.625	62																	J6
	.750	75			300	325	350	375	400	425	450	475	500						J9
	.875	87																	J9
	1.000	100																	J9
	1.250	125																	J12

Type	Shank		L																			
	D	Code	2.50	2.75	3.00	3.25	3.50	3.75	4.00	4.25	4.50	4.75	5.00	5.25	5.50	5.75	6.00	6.25	6.50	6.75	7.00	
HPB	.375	37																				
	.500	50	250	275																		
	.625	62																				
	.750	75			300	325	350	375	400	425	450	475	500	525	550	575	600					
	.875	87																				
	1.000	100																				
	1.250	125																				

\* See p. 37 for additional information.

## HOW TO ORDER

Specify:	Qty.	Type	D Code	L	Steel
Example:	12	HJB	50	300	M2
	5	HPB	75	400	A2

**FDS**  
FIRM DELIVERY SCHEDULE  
1 Day  
PS4 +2 Days