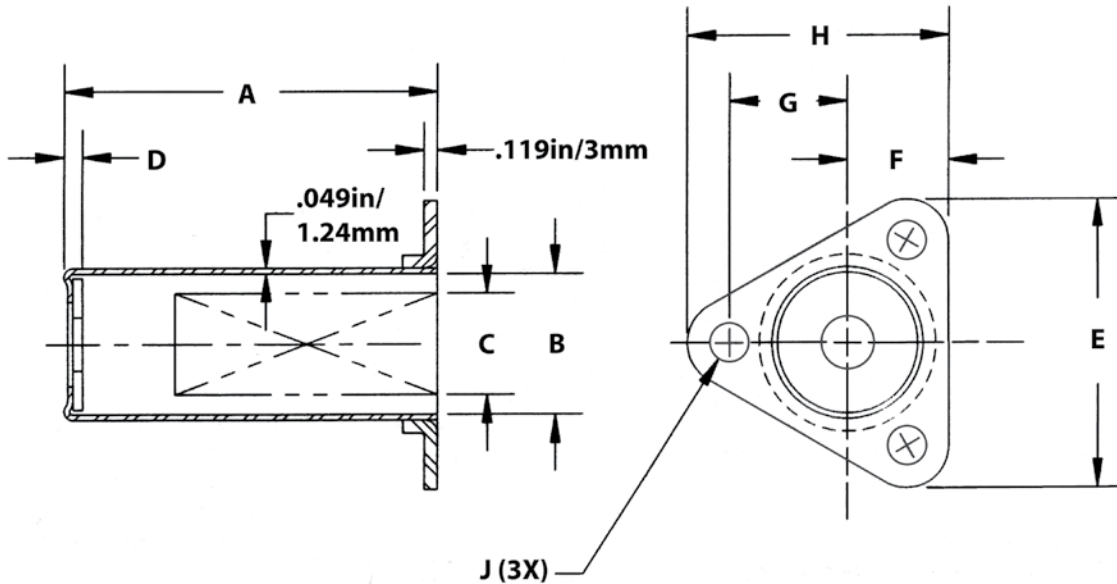


# Danly Spring Accessories

## Spring Guards

- ◆ Spring guards hold individual springs firmly in position
- ◆ Available for springs 1-1/4" (32mm), 1-1/2" (38mm) and 2" (50mm) diameters and any free length where clearance permits
- ◆ Material: 0.049" / 1.24mm cold rolled steel with painted finish



catalog number	a		Max Spring Dia B		recommended Spring Dia c		D		e		F		G		H		J		
	in	mm	in	mm	in	mm	in	mm	in	mm	in	mm	in	mm	in	mm	in	mm	
10-24G	3	76	1-1/4	32	1	25	3/16	5	2-19/32	66	29/32	23	1-1/16	27	2-11/32	60	11/32	9	
10-32G	4	102																	
10-40G	5	127																	
10-48G	6	152																	
10-56G	7	178	1-1/2	38	1-1/4	32	3/16	5	2-15/16	75	1	25	1-1/4	32	2-5/8	67	11/32	9	
12-24G	3	76																	
12-32G	4	102																	
12-40G	5	127																	
12-48G	6	152																	
12-56G	7	178																	
12-64G	8	203	2	51	1-1/2	38	1/4	6	3-11/16	94	1-1/4	32	1-5/8	41	3-11/32	85	7/16	11	
12-80G	10	254																	
16-32G	4	102																	
16-40G	5	127																	
16-48G	6	152																	
16-56G	7	178																	
16-64G	8	203																	
16-68G	9	229																	
16-80G	10	254																	
16-96G	12	305																	