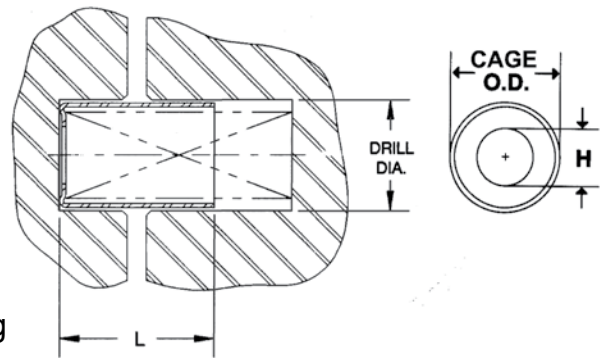


Danly Spring Accessories

Spring Cages

- ◆ These spring cages enhance die spring life by providing a flat, hardened die pocket for spring operation.
- ◆ Cages are available for metric and inch spring diameters from 3/4" – 2 (20mm – 50mm).
- ◆ Accommodate standard metric and inch guiding rods and drill diameters.
- ◆ Material: 0.049" / 1.245mm cold rolled steel.
- ◆ Conforms to NAAMS standards.



| Spring Diameter | | Drill Diameter | | Cage O.D. | | Clearance for Rod (H) | |
|-----------------|----|----------------|----|-----------|------|-----------------------|----|
| inches | mm | inches | mm | inches | mm | inches | mm |
| 3/4 | 20 | 29/32 | 24 | 0.86 | 21.7 | 7/16 | 11 |
| 1 | 25 | 1-5/32 | 30 | 1.11 | 28.1 | 9/16 | 14 |
| 1-1/4 | 32 | 1-13/32 | 36 | 1.36 | 34.4 | 3/4 | 19 |
| 1-1/2 | 40 | 1-21/32 | 43 | 1.61 | 40.8 | 31/32 | 25 |
| 2 | 50 | 2-5/32 | 56 | 2.11 | 53.5 | 1-3/8 | 35 |

| Length L | | 3/4 in. & 20mm Diameter Springs | | 1 in. & 25mm Diameter Springs | | 1-1/4 in. & 32mm Diameter Springs | | 1-1/2 in. & 40mm Diameter Springs | | 2 in. & 50mm Diameter Springs | |
|----------|------|---------------------------------|------------|-------------------------------|------------|-----------------------------------|------------|-----------------------------------|------------|-------------------------------|------------|
| (in) | (mm) | Danly Part No. | NAAMS Code | Danly Part No. | NAAMS Code | Danly Part No. | NAAMS Code | Danly Part No. | NAAMS Code | Danly Part No. | NAAMS Code |
| 1 | 25 | 6-8 | S212025 | 8-8 | S212525 | 10-8 | S213225 | 12-8 | S214025 | 16-8 | S215025 |
| 1-1/4 | 32 | 6-10 | S212032 | 8-10 | S212532 | 10-10 | S213232 | 12-10 | S214032 | 16-10 | S215032 |
| 1-1/2 | 38 | 6-12 | S212038 | 8-12 | S212538 | 10-12 | S213238 | 12-12 | S214038 | 16-12 | S215038 |
| 1-3/4 | 44 | 6-14 | S212044 | 8-14 | S212544 | 10-14 | S213244 | 12-14 | S214044 | 16-14 | S215044 |
| 2 | 51 | 6-16 | S212051 | 8-16 | S212551 | 10-16 | S213251 | 12-16 | S214051 | 16-16 | S215051 |
| 2-1/4 | 57 | 6-18 | – | 8-18 | – | 10-18 | – | 12-18 | – | 16-18 | – |
| 2-1/2 | 64 | 6-20 | S212064 | 8-20 | S212564 | 10-20 | S213264 | 12-20 | S214064 | 16-20 | S215064 |
| 2-3/4 | 70 | 6-22 | – | 8-22 | – | 10-22 | – | 12-22 | – | 16-22 | – |
| 3 | 76 | 6-24 | S212076 | 8-24 | S212576 | 10-24 | S213276 | 12-24 | S214076 | 16-24 | S215076 |
| 3-1/4 | 83 | 6-26 | – | 8-26 | – | 10-26 | – | 12-26 | – | 16-26 | – |
| 3-1/2 | 89 | 6-28 | S212089 | 8-28 | S212589 | 10-28 | S213289 | 12-28 | S214089 | 16-28 | S215089 |
| 3-3/4 | 95 | 6-30 | – | 8-30 | – | 10-30 | – | 12-30 | – | 16-30 | – |
| 4 | 102 | 6-32 | S212010 | 8-32 | S212510 | 10-32 | S213210 | 12-32 | S214010 | 16-32 | S215010 |
| 4-1/4 | 108 | 6-34 | – | 8-34 | – | 10-34 | – | 12-34 | – | 16-34 | – |
| 4-1/2 | 114 | 6-36 | – | 8-36 | – | 10-36 | – | 12-36 | – | 16-36 | – |
| 4-3/4 | 121 | 6-38 | – | 8-38 | – | 10-38 | – | 12-38 | – | 16-38 | – |
| 5 | 127 | 6-40 | S212012 | 8-40 | S212512 | 10-40 | S213212 | 12-40 | S214012 | 16-40 | S215012 |
| 5-1/2 | 140 | 6-44 | – | 8-44 | – | 10-44 | – | 12-44 | – | 16-44 | – |
| 6 | 152 | 6-48 | S212015 | 8-48 | S212515 | 10-48 | S213215 | 12-48 | S214015 | 16-48 | S215015 |
| 6-1/2 | 165 | 6-52 | – | 8-52 | – | 10-52 | – | 12-52 | – | 16-52 | – |
| 7 | 178 | 6-56 | S212017 | 8-56 | S212517 | 10-56 | S213217 | 12-56 | S214017 | 16-56 | S215017 |
| 8 | 203 | 6-64 | S212020 | 8-64 | S212520 | 10-64 | S213220 | 12-64 | S214020 | 16-64 | S215020 |
| 9 | 229 | – | – | – | – | 10-72 | S213222 | 12-72 | S214022 | 16-72 | S215022 |
| 10 | 254 | – | – | – | – | 10-80 | – | 12-80 | – | 16-80 | – |
| 11 | 280 | – | – | – | – | – | – | – | – | 16-88 | S215028 |
| 12 | 305 | – | – | – | – | – | – | – | – | 16-96 | S215030 |