

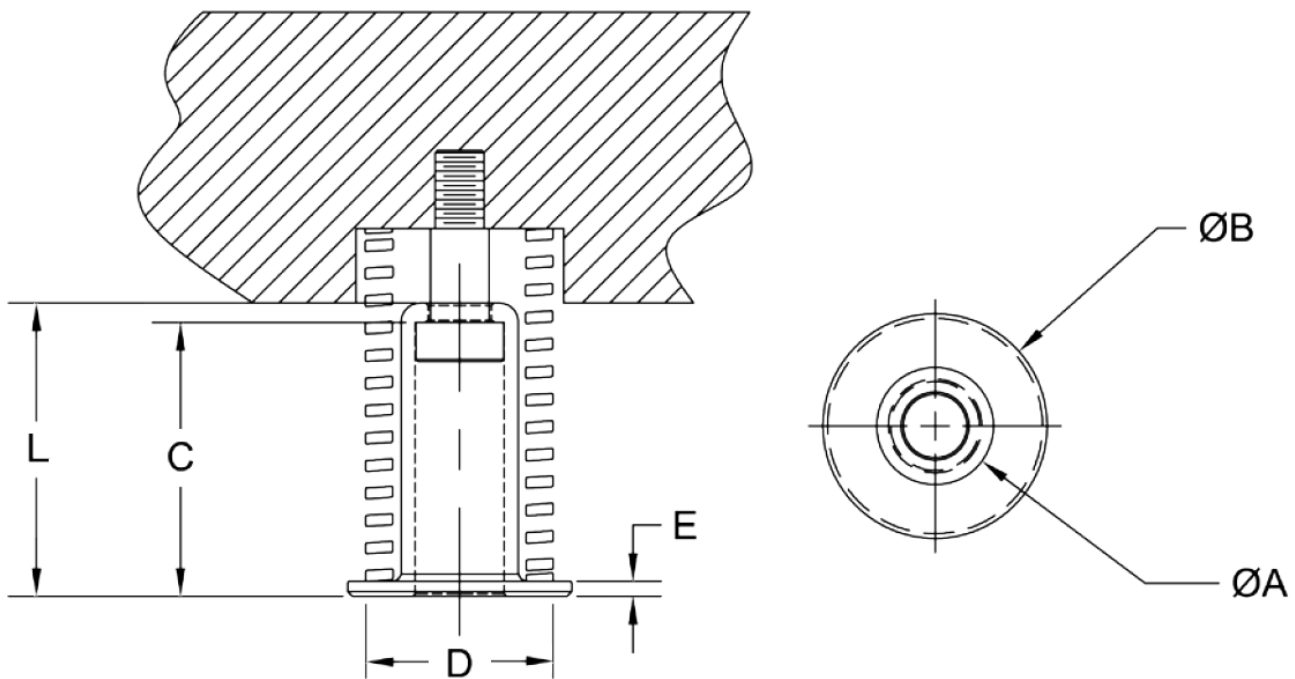
Spring Accessories



Spring Retainers

Spring retainers hold individual springs firmly in position while the die is being assembled or disassembled. When a die is disassembled for repairs, only springs needing replacement are released.

Reloading is easy since springs can be set individually, which avoids working against the combined force of a number of springs. Retainers are all-steel construction with a bright zinc plate finish. They can be used with springs having rod diameters of 20mm and 25mm and any length that permits clearance.



CATALOG NUMBER	SPRING DIAMETER D (mm)	ROD DIAMETER A (mm)	B (mm)	L (mm)	C (mm)	E (mm)	SHOULDER SCREW (mm)
9-20048-16	40	20	37	48	44	2	M10
9-25048-16	50	25	49	48	44	3	M12
9-25073-16	50	25	49	73	70	3	M12